



CROPX AGRICO INDIA PVT. LTD.





- Established in 2021, Cropx Agrico India Pvt. Ltd. is globally renowned manufacturer of farm machinery under the brand name CROPX. Synonymous with quality and durability, Cropx is a brand of choice amongst farmers in India and across the countries. We have been contributing to agricultural growth by providing innovative implements at most affordable prices.
- Our company has been certified with ISO 9001: 2015 for following a world class quality management system. Company diverse range of products includes Tillage Implement, Sowing Implements, Crop Protection Implements and Harvesting Implements.
- We provide all type of farming solutions with round the clock after sales support. We also specialize in developing customize machineries for our clients according to their required specifications.
- We have made a strong presence in domestic as well as overseas market. Quality is not a pre requisite but it's our passion. We have stringent three tier quality checking under supervision experts.





➤ **2021 : Foundation of Cropx Agrico India Pvt. Ltd.**

The foundation of Cropx Agrico India Pvt. Ltd. was led by Mr. Sagar Khanpara in 2021. With very limited Resources but with a great vision and mission of making CROPX a pioneer in Farm Mechanization Industry founded the base of company.



➤ **2021 : Manufactures bullock drawn seed drill.**

In this year company started manufacturing Bullock Drawn Seed Drill Machines and tractor drawn seed Drill Machines which enables small & big land holding farmers to use ultra modern machineries in their land and increase their crop production.



➤ **2022 : Diversification of Product Portfolio**

Company diversified their product portfolio and started manufacturing all products of four categories which are Tillage, Sowing, Crop Protection & Harvesting.





➤ **Mission**

Our Mission is to manufacture & supply the most technologically advanced agriculture implements. To contribute towards the success and improvement of customer income with our quality & time tested mechanized agriculture solution.

To manufacture the finest quality products.

Reduce labour hours.

To ensure higher yield

➤ **Vision**

Our Accountability & Good Business Practices are the frame which guides every aspect of our business. In the coming years we would continue with our efforts and make innovative products and will provide to our customers, with the best. To be India's & world's best agricultural Implements manufacturer in terms of customer values, customer service by offering quality implements to the customer resulting into enhanced agriculture income of our Clients & Customers.





- Engineering is the heart of our Business, CropX Engineers and Researchers are working on what's next? Which ensures continuous product improvement, New product development & product management.
- At CropX, Our Research & Development team explores the avenues made available by our global reach, by performing studies in cooperation with partners, customers, agricultural universities & research institutes.
- With the use of ultra modern technology our Research & Development team ensures the best design, uniformity & high quality products. Our R&D team is in the process of keeping up the innovative core of the company by introducing newer products in the farming equipment space which expand our network in India and Abroad.





Tillage Implements

M.B. Plough/Disc Plough

Rotavator

Sowing Implements

Planters

Seed Drill Machine

Precision Planter

Hand Operated Seed Drill

Crop Protection Implements

Fertilizer Spreader

Mini Tiller

Harvesting Equipment

Reaper

Groundnut Digger





Rotary Tiller



Technical Specification

Variant	CAHDRT 04	CAHDRT 05	CAHDRT 5.5	CAHDRT 06	CAHDRT 07	CAHDRT 08
No of Blades	30	36	42	42	48	54
Input RPM	540 / 1080					
Side Drive	Gear Drive / Chain Drive					
Overall Width (mm)	1472	1772	1872	1966	2213	2460
Tillage Width (mm)	1252	1502	1652	1746	1993	2240
Weight (Kg)	380	405	420	430	455	480
Tractor Power (HP)	35+	40+	45+	45+	50+	55+

Reversible M B Plough

Technical Specification

Variant	CARMBP 02			CARMBP 03
Frame (mm)	75 x 25 Flat Bar Frame			
Tines (mm)	80 x 36			
Mould Board (mm)	8			
Working Depth (mm)	250 - 350			
Working Width (mm)	630			950
Turnover Mechanism	Hydraulic			
Mounted CAT	CAT II			
Weight (Kg)	250	350	450	650
Tractor Power (HP)	45 - 55		75 - 125	



Animal Drawn Seed Drill



Technical Specification

Variant	CAADSD 05
Frame	MS Iron Pipe
No. of Tines	5
Tines Type	Profile Cutting
Seed Spacing	Adjustable
Ground Wheel	1
Seed Box Capacity (Kg)	5 - 7
Drilling Depth (mm)	Adjustable
Working Width (mm)	1800
Weight (Kg)	60
Operation	1 Animal / 2 Animal Drawn

Hand operated seed drill

Technical Specification

Variant	CAHOSD 01
Frame	MS Pipe & Iron
Dimensions (mm)	1700 X 450 X 1050
No. of Tines	1
Plant to Plant Spacing (mm)	25 - 250 (Adjustable)
Ground Wheel (mm)	450 (2 Wheel)
Operation	Manually Operated
Seed Box Capacity (Kg)	2
Weight (Kg)	13



Tractor Seed Cum Fertilizer Planter



Technical Specification

Variant	CAPLP 6
No. of Tyne	6/7/9 Tyne
Tyne to Tyne Distance	6-72/6-84/6-84 Inch
Seed to Seed Distance	1-52 Inch
Seed Type	Small / Medium / Bold
Seed Capacity	12-24 kg/14-28 kg / 18-36 kg
Fertilizer Capacity	18-30kg / 21-35 kg / 27-45 kg
Power Source	35HP & Above tractor
Accessories	Covering Plate
Overall Dimentions 6 Tyne	L212 X W640 X H980 mm
Overall Dimentions 7 Tyne	L2426 X W640 X H980 mm
Overall Dimentions 9 Tyne	L2426 X W640 X H980 mm
Total Weight	270 kg / 290 kg / 315kg

Seed Cum Fertilizer Drill

Technical Specification

Variant	CASCDFI 09	CASCDFI 11	CASCDFI 13
Frame (mm)	60 x 60 x 5 Tubular Frame		
Seed Box (mm)	MS Galvanize		
Seed & Fertilizer Box Capacity (Kg)	70		
Seed Drilling Depth (mm)	20 - 100 (Adjustable)		
Plant To Plant Spacing (mm)	25 - 250 (Adjustable)		
Row to Row Spacing (mm)	100 - 2000 (Adjustable)		
Working Width (mm)	2000		
Weight (Kg)	310	350	390
Tractor Power (HP)	35-55		





Mini Tiller



Technical Specification

Variant	CAMT 5.5
Engine Type	Air Cooled Diesel Engine
Transmission System	Gear Type
Speed	3600 RPM
Operating Speed	0.4 - 0.8 m/s
Working Width (mm)	800
Working Depth (mm)	200
Starting Mode	Recoil
Weight (Kg)	80
Engine Power (HP)	5.5 HP

Fertilizer Spreader

Technical Specification

Variant	CAFS 500
Capacity (Ltr)	357
Transmission	1:1
Spreading Width (mm)	8000 - 14000
Weight (Kg)	63
Operation	Tractor PTO Shaft
Mounted CAT	CAT 0
Tractor Power (HP)	18 - 35





Reaper



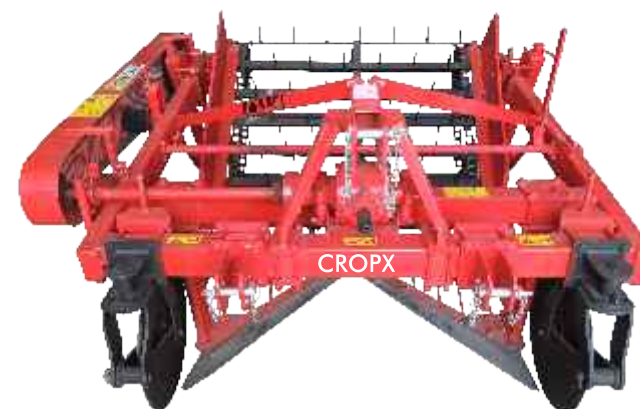
Technical Specification

Variant	CAR 04
Type	Tractor Operated
Reaping Style	Side Lay
Stubble Height (mm)	100 (Adjustable)
Working Efficiency	1 Acre / Hr
Working Width (mm)	1500
Weight (Kg)	200
Tractor Power (HP)	18-55

Groundnut Digger

Technical Specification

Variant	CATOGD 01
Length (mm)	1828
Width (mm)	1727
Height (mm)	1067
Main Frame (mm)	100 X 100 X 5
Power Transmission	PTO Shaft - 540 RPM
Working Width (mm)	1372
Weight (Kg)	510
Tractor Power (HP)	35-55

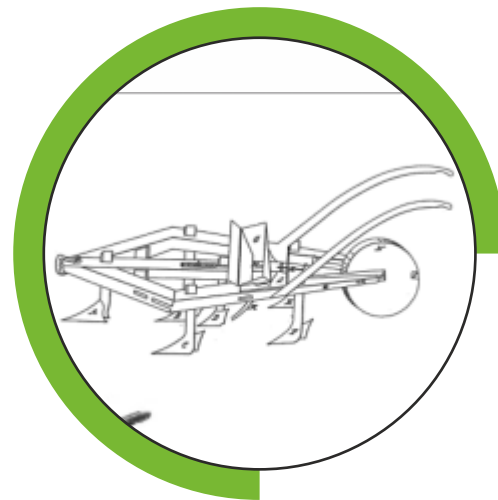
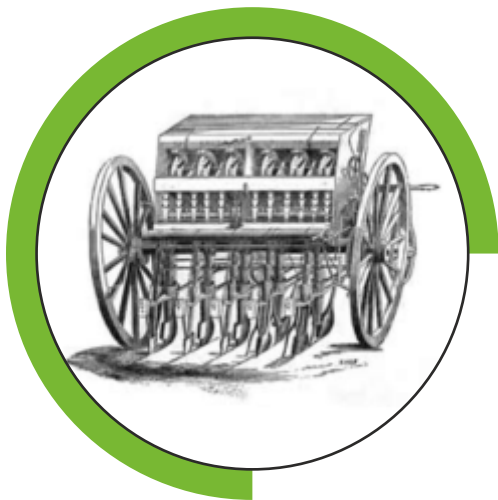




Affordable for all	Small land holder to large farmers, eligible for subsidy and loans
Simple in Technology	Easy to operate and maintain and we disseminate the knowledge through our channel partners and employees
Easy Transportation & comfortable in operation	Can work most of the tractors, tiller even with animal operated product are easy to transport from one location to others
Multifunctional	We have range of implements starting from Tillage to Harvesting section which are operated by Manual, Animal, Mini Tiller, Power tiller, Mini Tractor to Big Tractor.
Low or Zero maintenance	Best in quality have very low or nil maintenance and can be repair locally
Suitability	Our Products are suitable for all kind of Seeds and Pulses such as Rice, Maize, wheat, Groundnut, gram, soybean and Other Pulses and in vegetables for potato, onion and Garlic.
After sales support	We provides round the year sales and service support to our customers









Plot No. 7, Servey No. 244, Repute Food Gate,
Shapar (Veraval), Rajkot - 360 024.



www.cropxagrico.com



sagar@cropxagrico.com



99132 00003

